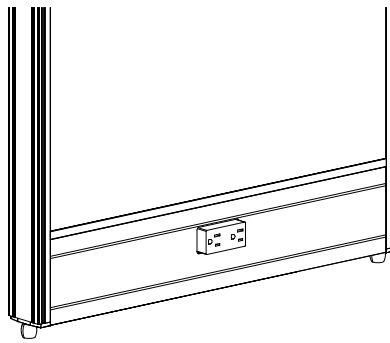


framework



ASSEMBLY INSTRUCTION:

Power Block Installation

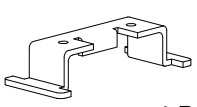
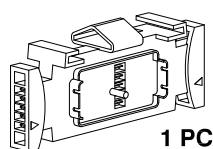
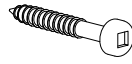

MODELS:

PANELS:

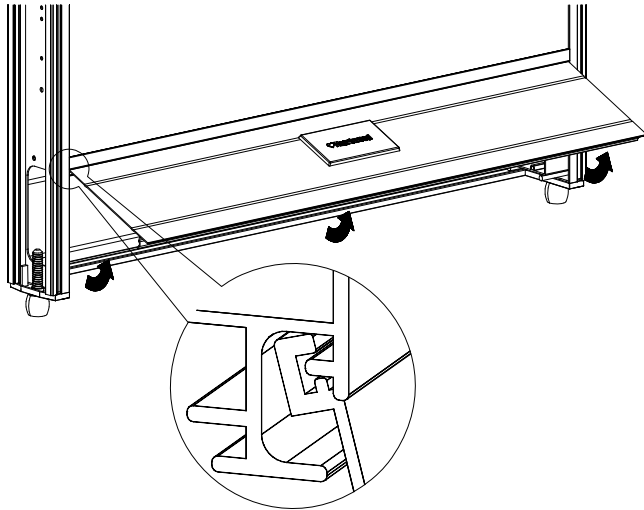
- | | |
|-----------|------------|
| FRM-2466P | FRM-2448P |
| FRM-3066P | FRM-3048P |
| FRM-3666P | FRM-3648P |
| FRM-4266P | FRM-4248P |
| FRM-4866P | FRM-4848P |
| FRM-6066P | FRM-2466GP |
| FRM-6666P | FRM-3066GP |
| FRM-7266P | FRM-3666GP |

CAUTION:

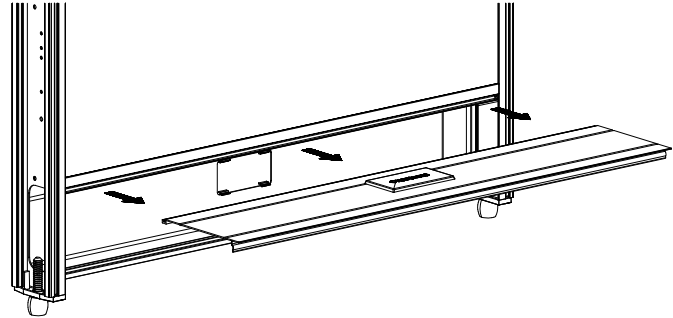
OFFICE FURNITURE IS HEAVY. ENSURE THAT YOU HAVE ADEQUATE ASSISTANCE WHEN LIFTING AND MOVING PARTS AND ASSEMBLIES. KEEP HARDWARE OUT OF REACH OF CHILDREN

<p>MOUNTING BRACKET</p>  <p>1 PCS</p>	<p>POWER BLOCK</p>  <p>1 PCS</p>	<p>#8 X 1 1/4" SCREW</p>  <p>2 PCS</p>	<p>PAPER TEMPLATE</p>  <p>1 PCS</p>
--	--	--	--

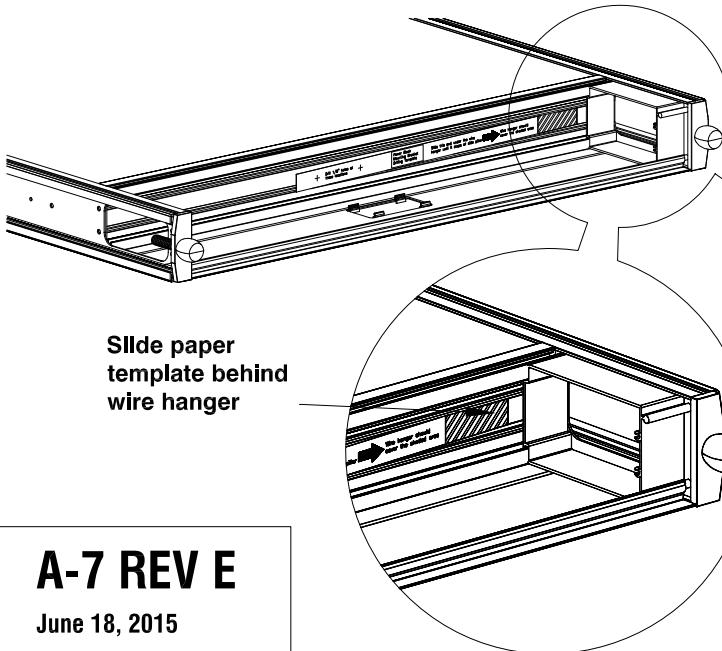
1. To remove the panel raceway cover twist the bottom away from panel.



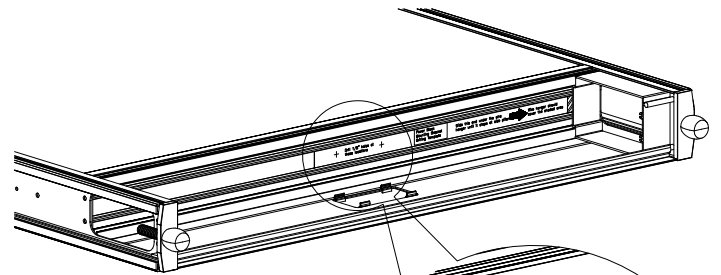
2. Pull raceway cover straight out to remove.



3. Push the paper template under the rectangle wire hanger until it stops at the panel.



4. Drill marked holes with 1/8" drill bit.

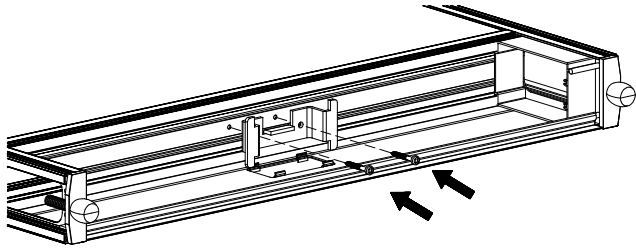


Slide paper template behind wire hanger

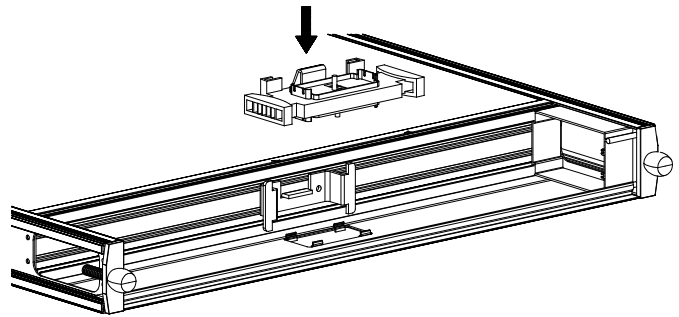
Drill 1/8" holes at these locations

Wire hanger should cover the shaded area.

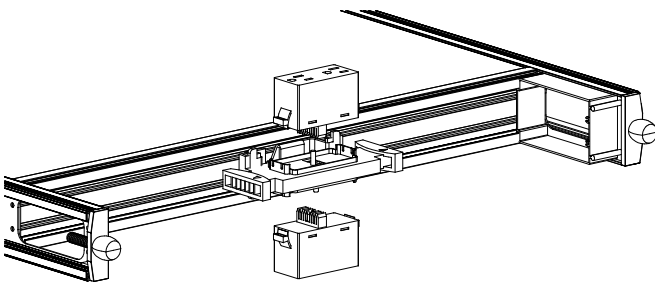
5. Attach the mounting bracket to the panel with the #8 x 1 1/4" screws provided.



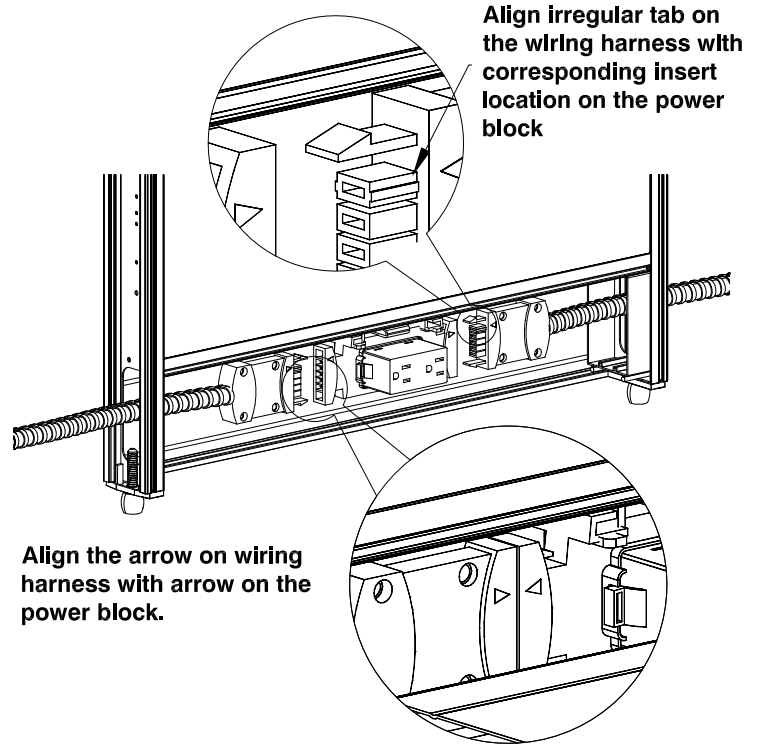
6. Slide the power block into the mounting bracket until it snaps in place.



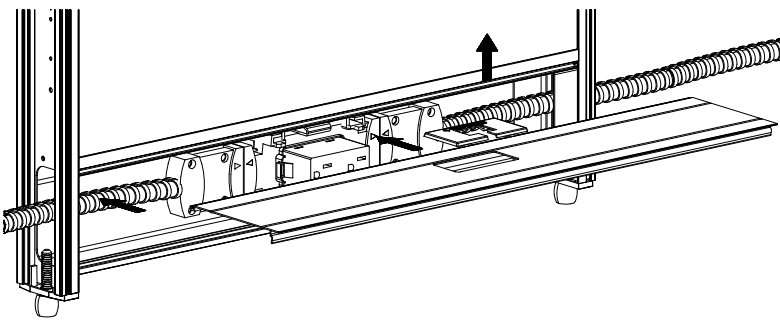
7. Attach required duplex receptacles to the power block. Duplex receptacles can be installed on both sides of the power block.



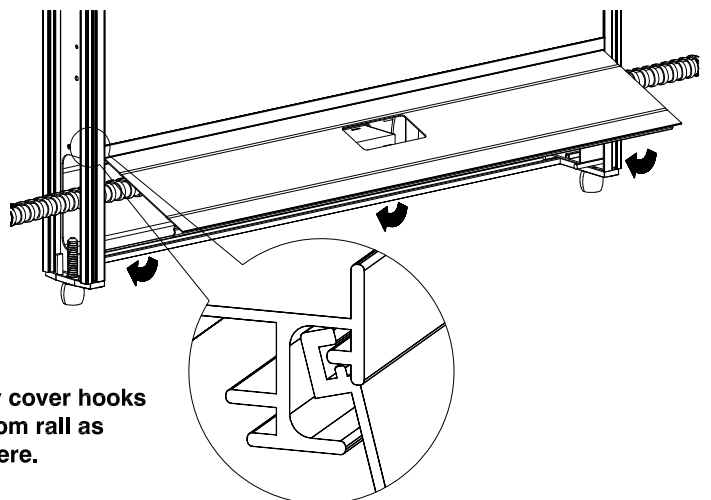
8. Attach required wiring harnesses to the power block.



9. Remove grommet cover and push raceway cover straight in to attach.



10. Hook top of raceway cover into bottom rail. (See detail below.) Twist bottom of raceway cover towards panel.



QUESTIONS OR CONCERNS ?
 PHONE Customer Service
 1-800-567-3060
 1-250-765-4145
 M-F 7am - 4:30 pm PST

A-7 REV E

June 18, 2015